

COBRA

MODELS: GT600E (GT-PS3031)

COBRA GRASS TRIMMER OWNER'S MANUAL



WARNING!

When using the machine the safety rules must be followed. For your own safety and bystanders please read these instructions before operating the machine. Please keep the instructions safe for later use.

Cobra Garden Machinery

Henton and Chattell Ltd., London Road, Nottingham NG2 3HW UK

www.cobragarden.co.uk



COBRA GRASS TRIMMER

Intended use

Your grass trimmer has been designed for trimming and finishing lawn edges and to cut grass in confined spaces. This tool is intended for consumer use only.

IMPORTANT: SAFETY INSTRUCTIONS

Warning! When using mains-powered appliances. Basic safety precautions, including the following, should always be followed to reduce the risk of fire, electric shock and personal injury.

1. Before use, check the supply and extension cord for signs of damage or aging. If the cord becomes damaged during use, disconnect the cord from the supply immediately. **DO NOT TOUCH THE CORD BEFORE DISCONNECTING THE SUPPLY.** Do not use the appliance if the cord is damaged or worn.
2. Read the instructions carefully. Be familiar with the controls and proper use of the equipment.
3. Keep the extension cord away from the cutting elements.
4. Wear eye protection.
5. Never allow children or people unfamiliar with these instructions to use the trimmer.
6. Avoid using the trimmer, while people, especially children or pets, are nearby.
7. Use the trimmer only in daylight or good artificial light.
8. Never operate the trimmer with damaged guards or shields or without guards or shields in place.
9. Switch on the motor only when hands and feet are away from the cutting means.
10. Never fit metal cutting elements.
11. Use only the manufacturer's recommended replacement parts and accessories.
12. Always disconnect the trimmer from the mains when leaving the trimmer unattended.
13. Disconnect the trimmer from the mains before carrying out maintenance or cleaning work.
14. Inspect and maintain the trimmer regularly. Have the trimmer repaired only by an authorised repairer.

15. Take care to avoid injury from the blade(s) fitted for trimming the filament line length. After extending new cutter line, always return the trimmer to its normal operating position before switching on.
16. Always ensure that the ventilation openings are kept clear of debris.
17. When not in use, store the trimmer out of the reach of children.
18. For type Y attachments: If the supply cord is damaged, it must be replaced by the manufacturer, its service agent or similarly qualified person in order to avoid a hazard.
19. Be familiar with the controls and proper use of the equipment.
20. Before use check the supply and extension cord for signs of damage or ageing.
21. If the cord becomes damaged during use, disconnect the cord from the supply immediately. **Do Not Touch The Cord Before Disconnecting The Supply,**
22. Do not use the lawn trimmer(edge trimmer), if the cords are damaged or worn.
23. Warning, the cutting elements continue to rotate after the motor is switched off.
24. Keep extension cords away from cutting elements.
25. For the safe operation of the machine, the appliances should be supplied via a residual current device(RCD)with a tripping current of not more than 30mA.







Attention! Danger!

The Cutting Line continue to rotate after the motor is switched off.

SAVE THESE INSTRUCTIONS

PRECAUTIONARY MEASURES

The following warning symbols are found on the appliance:

1.  Wear eye protection.
2.  Do not expose to moisture.
3.  Disconnect the mains plug if the cord is damage or entangled
4.  Read operator's manual
5.  Keep by standers away
6.  WARNING

Technical data:

Type: GT600E (GT-PS3031)
Rated voltage: 230V-240V, 50Hz
Power: 600W
Sound Power level Lwa (dB(A)): 59B

1. Work area	Page	5
2. Adjustment Instructions	Page	5
3. Using your appliance	Page	5
4. Safety of others	Page	5
5. After use	Page	6
6. Inspection and repairs	Page	6
7. Electrical safety	Page	7
8. Fitting the guard	Page	8
9. Adjustment of assist handle angle	Page	9
10. Edge wheel assembly	Page	9
11. Wireguard Assembly	Page	10
12. Length adjustment of the tool	Page	10
13. Trimming	Page	11
14. Warning	Page	13
15. Fitting a new spool of cutting line	Page	13
16. Maintenance instructions	Page	14
17. Specifications	Page	15
18. Warranty	Page	15
19. EC-Declaration of Conformity	Page	17

1. Work Area

- 1.1 Do not expose the appliance to rain. Do not use the appliance in damp or wet conditions.
- 1.2 Only use the appliance in daylight or good artificial light.

2. Personal Protection

- 2.1 Wear suitable shoes or boots to protect your feet. Do not operate the appliance wearing open-toed sandals or when barefoot.
- 2.2 Wear long trousers to protect your legs.

3. Using Your Appliance

- 3.1 Be sure that the appliance is switched off when plugging in.
- 3.2 Stay alert. Take care and pay attention whilst trimming.
- 3.3 Do not operate the appliance when you are tired.
- 3.4 If the appliance begins to vibrate abnormally, switch it off and remove the plug from the socket. Allow rotating parts to stop and inspect the appliance for damage and loose parts.
- 3.5 Never pull the cord to disconnect the plug from the socket. Keep the cord away from heat, oil and sharp edges.
- 3.6 If the mains cable is damaged during use, switch the appliance off and disconnect the plug from the mains immediately. Do not touch the mains cable before disconnecting from the mains.

4. Safety of Others

- 4.1 Do not allow children or any people unfamiliar with these instructions to operate the appliance.
- 4.2 Do not allow children, visitors or animals to come near the work area or to touch the appliance or mains cable.

- 4.3 Remember that the operator may be held responsible for the accidents or hazards occurring to other people or their property.

5. Product Care After Use

- 5.1 Switch off, remove the plug from the socket and ensure that moving parts have stopped rotating before leaving the appliance unattended and before changing, cleaning or inspecting any parts of the appliance.
- 5.2 When not in use, the appliance should be stored in a dry place. Children should not have access to stored appliances.

6. Inspection and Repairs

- 6.1 Before use, check the appliance for damaged or defective parts. Check for misalignment and seizure of moving part, breakage parts, damage to guards and switches and any other conditions that may affect its operation.
- 6.2 Do not use the appliance if any part is damaged or defective. Do not use the appliance if the switch does not turn it on and off.
- 6.3 Never use the appliance when any guard or enclosure is damaged or not in place.
- 6.4 Ensure that the appliance will operate properly and perform its intended function.
- 6.5 Have any damaged or defective parts repaired or replaced an authorised repair agent
- 6.6 Before use, check the mains cable for signs of damage, aging or wear.
- 6.7 Do not use the appliance if the mains cable is damaged or defective.
- 6.8 If the mains cable is damaged or defective it must be repaired by an authorised repair agent to avoid a hazard.
- 6.9 Never attempt to remove or replace any parts other than those specified in this manual.

7. Electrical safety

This tool is double insulated; therefore no earth wire is required. Always check that the power supply corresponds to the voltage on the rating plate.

- 7.1 Before using the appliance, check that your cutting path is free from sticks, stones, wires and any other objects.
- 7.2 Only use the appliance in the correct position, with the cutting line near the ground, as show in the illustrations. Never switch the appliance on in any other position.
- 7.3 Switch on the appliance only when hands and feet are away from the cutting line.
- 7.4 Avoid body contact with the cutting line while the appliance is running.
- 7.5 Do not work on steep slopes, be sure of your footing. Be aware that freshly cut grass is damp and slippery.
- 7.6 Use only the appropriate nylon cutting line. Never use metal cutting line or fishing line.
- 7.7 After extending new cutting line out, return the appliance to its normal operating position before switch on.
- 7.8 Take care to keep the mains cable away from the cutting line. Always be aware of the position of the cable.

Product Assembly

Warning! Before assembly, make sure that the tool is switched off and unplugged.

8. Fitting the Guard

- 8.1 Place the guard onto the tool as shown.(fig. A)
- 8.2 Put the guard into the slot at side pointed to by black arrow in fig.B Horizontally push forward the guard, assemble the four hooks completely into the slot of left/right tool, check whether the front two hooks have been fully inserted into the tool after assembly, there must not be any exposed end.

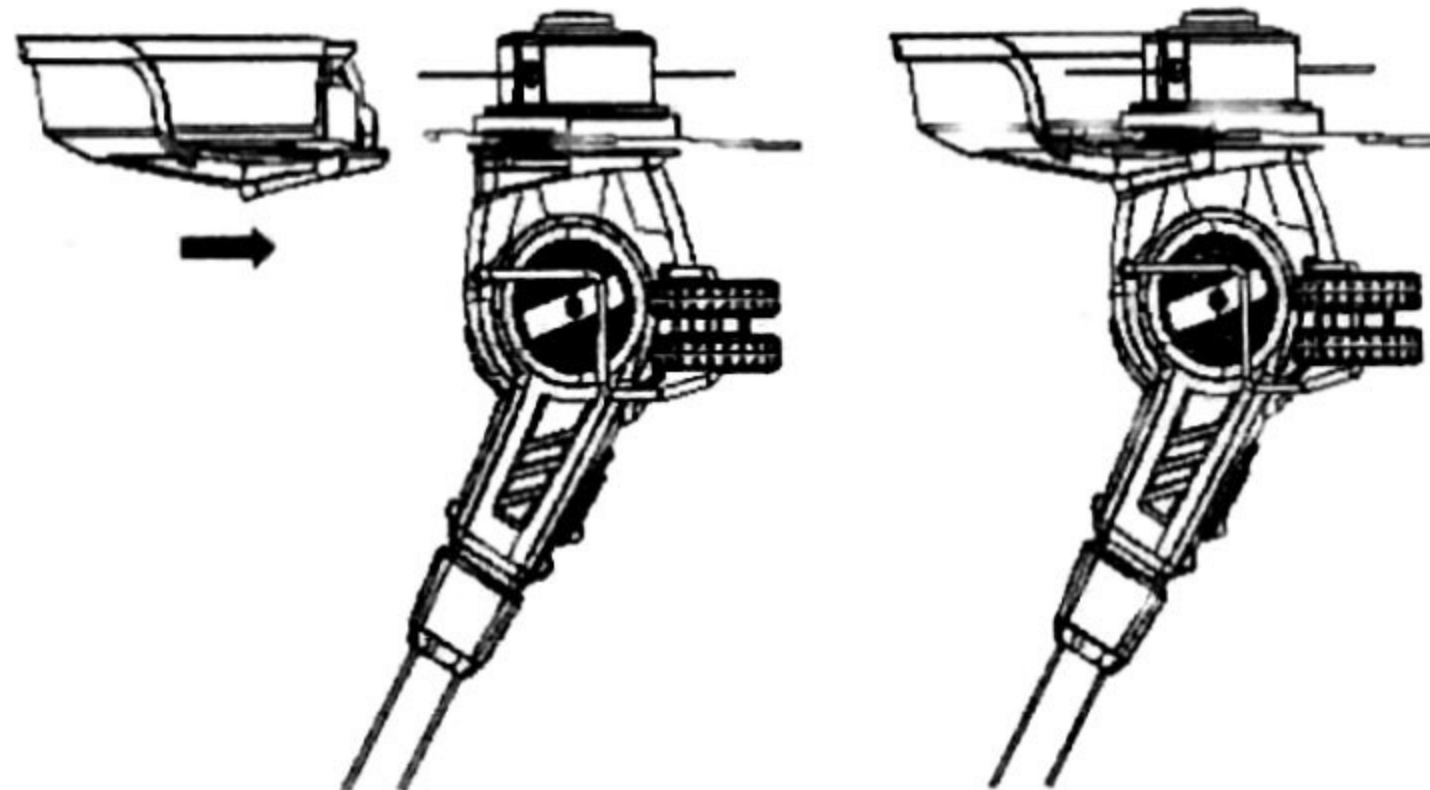


fig.A

fig.B

Warning! Never use the tool unless the guard is properly fitted.

9. Adjustment of the Upper Handle Angle

- 9.1 Pull the assist handle button as shown in picture(fig A)
- 8.3 Adjust assist handle to the appropriate location(fig B)
- 8.4 Adjust the assist handle to the most comfortable operation position, then release the handle knob fig. C and D

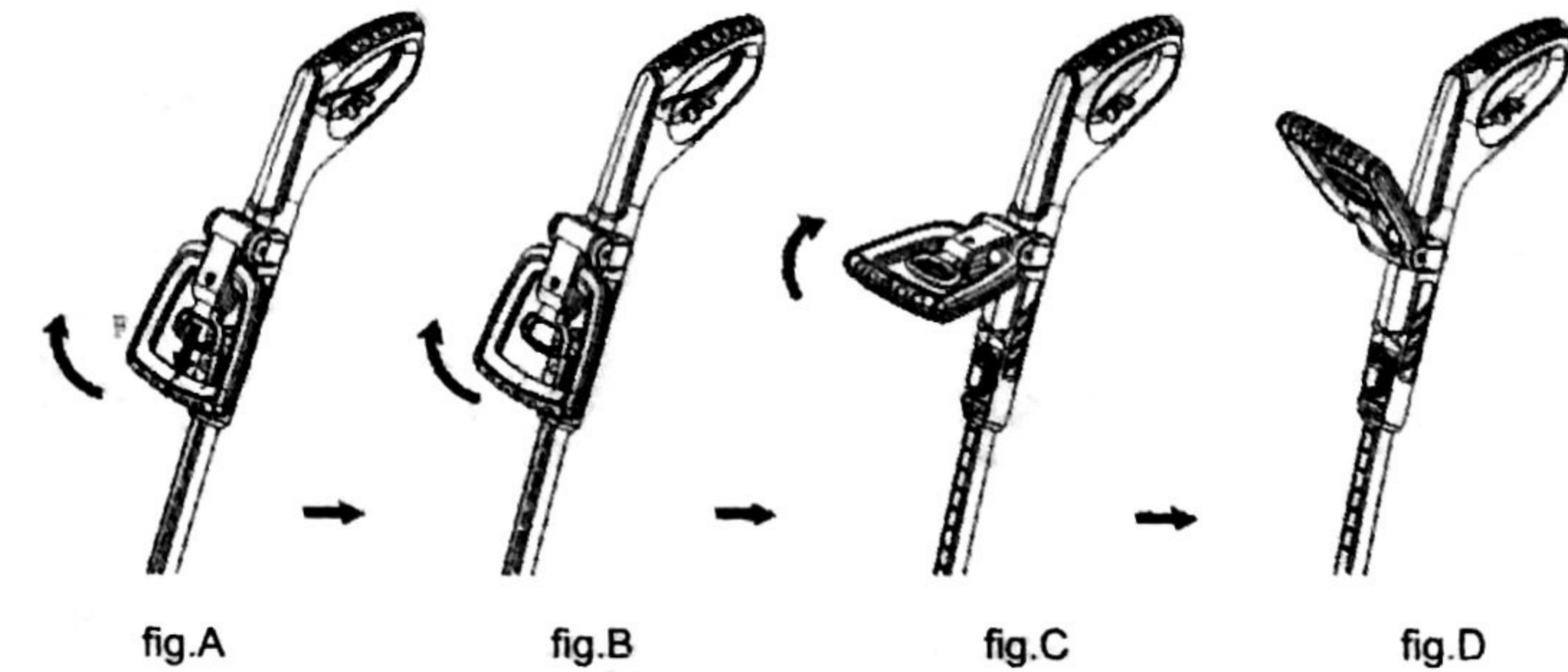


fig.A

fig.B

fig.C

fig.D

10. Edge Wheel Assembly

- 10.1 Align the two frame wires a and b of the edge wheel holder with the corresponding two positions on the tool fig.A and fig.B
- 10.2 Put the two frame wires into the corresponding holes on the trimmer. Make sure they are secured fully.

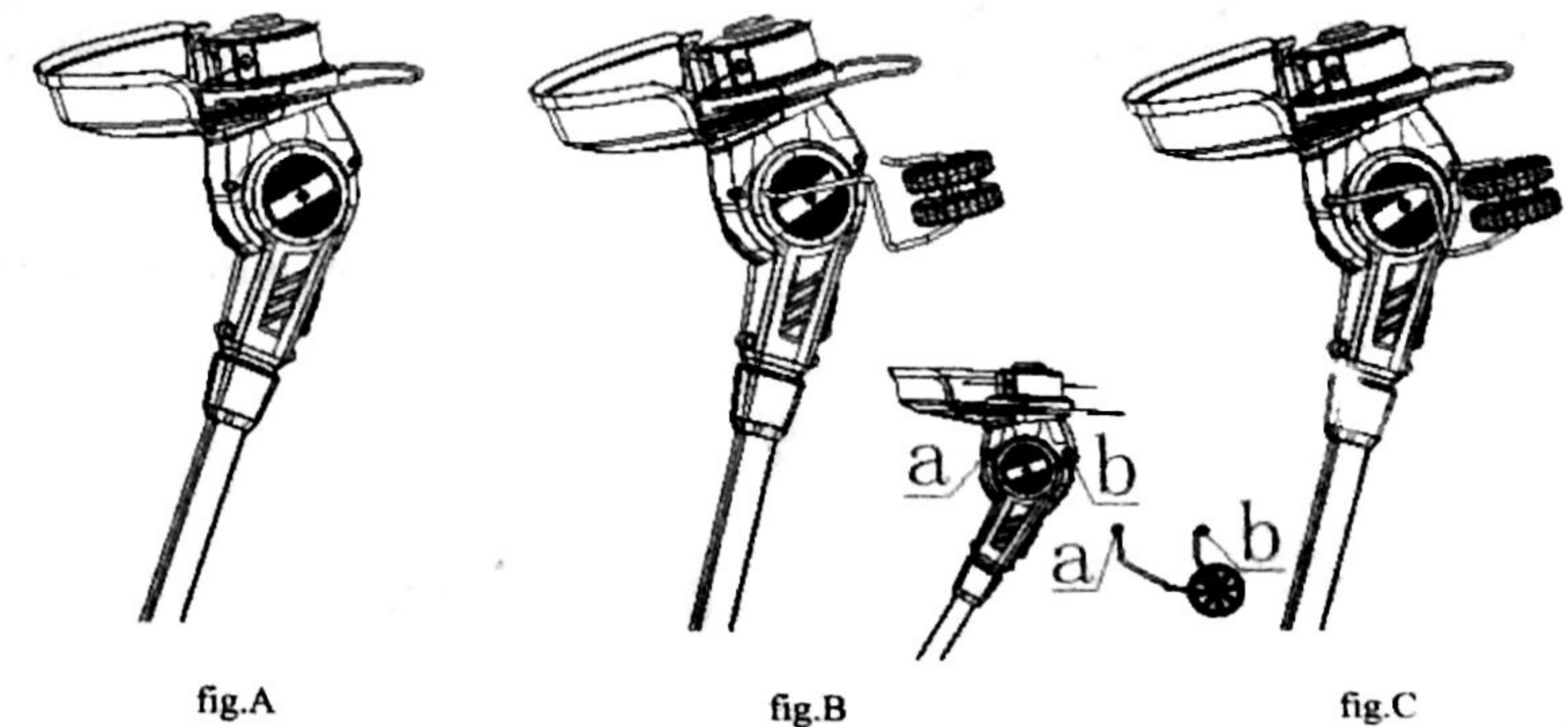


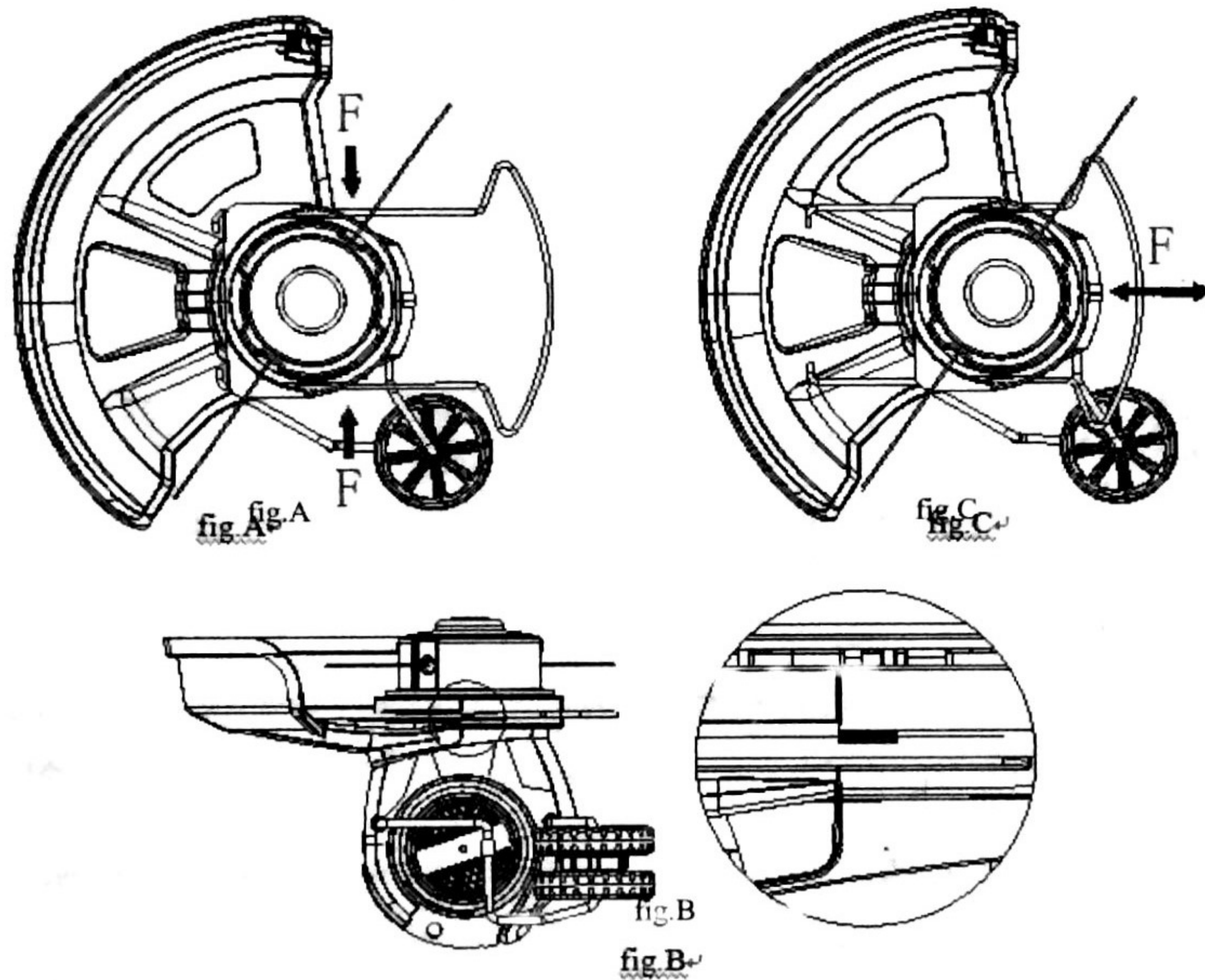
fig.A

fig.B

fig.C

11. Plant Wire Guard Assembly

- 10.1 Place the wire guard and tool horizontally, fig.A
- 10.2 Push the both sides of wire guard into the slot of left/right housing fig.A and fig.B
- 10.3 Push or pull the wire guard to the appropriate location, fig.C

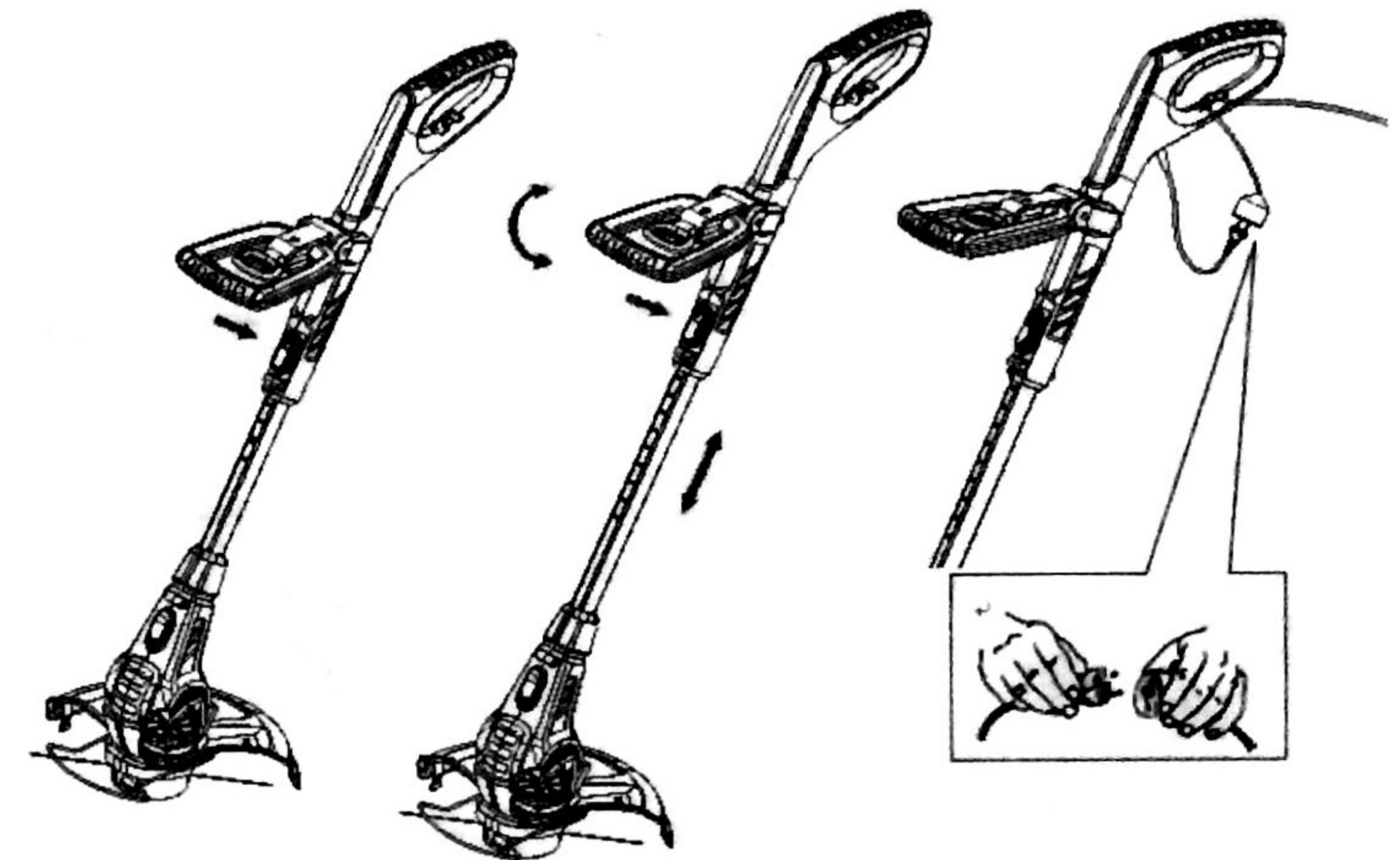


12. Height Adjustment

- 12.1 Press the aluminum tube button, fig.A
- 12.2 Pull the handle, adjust the tube to a comfortable length, then loosen the tube button, fig.B



Preparing the tool for use

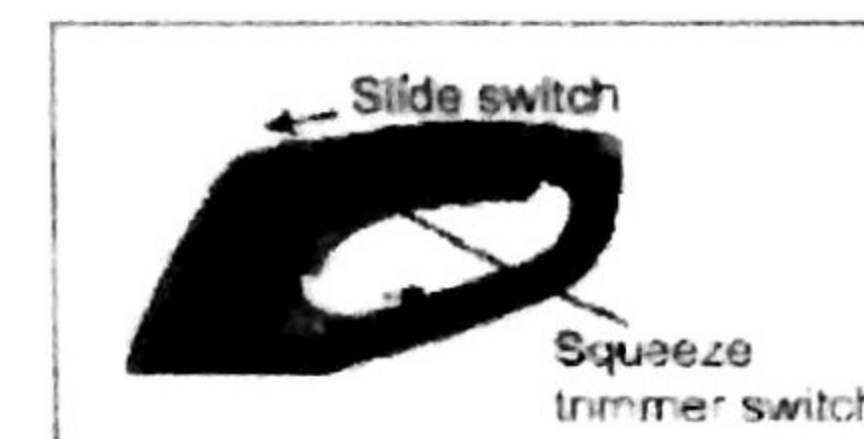


Warning!

Never attempt to lock the trigger lever in the on position

13. Trimming

- 13.1 Hold the upper handle and the assist handle.
- 13.2 To power the trimmer, slide the top switch and squeeze the handle trigger switch.
- 13.3 Gently swing the trimmer from side to side.
- 13.2 When cutting long grass, work in stages away from hard objects and delicate plants.
- 13.3 If the tool starts running slowly, reduce the load.



Lawn Edging mode

For lawn edging, the trimmer head should be in the position shown in Fig. 1, if it is not:

The pull the plastic collar around the tube upwards, Fig.2.

Rotate the handle as shown in Fig.3.

When the handle is in position, slide the lever and position the head, Fig.4.

The cutting head angle can be adjusted to ensure the most suitable edging mode as shown in Fig.5.

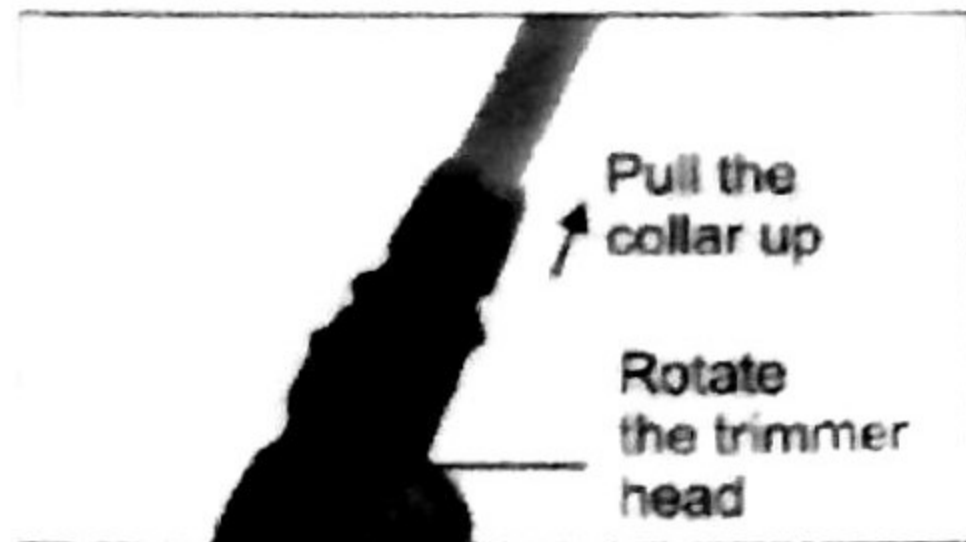
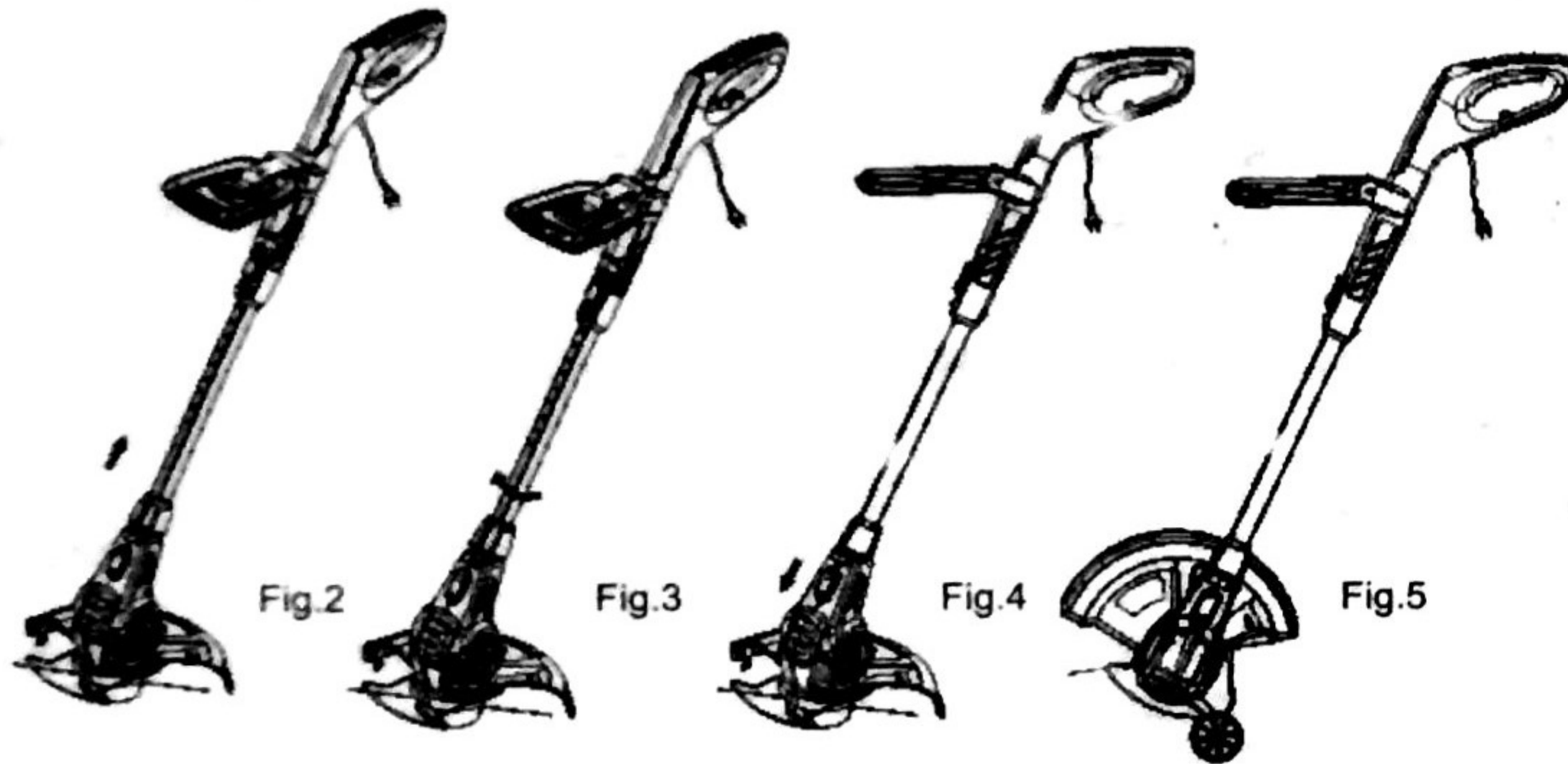
Note: The handle can only rotate in one direction



Fig. 1



Warning! Do not use the heavy duty cutting for edging



Maintenance

Your tool has been designed to operate over a long period of time with a minimum of maintenance. Continuous satisfactory operation depends upon proper tool care and regular cleaning.

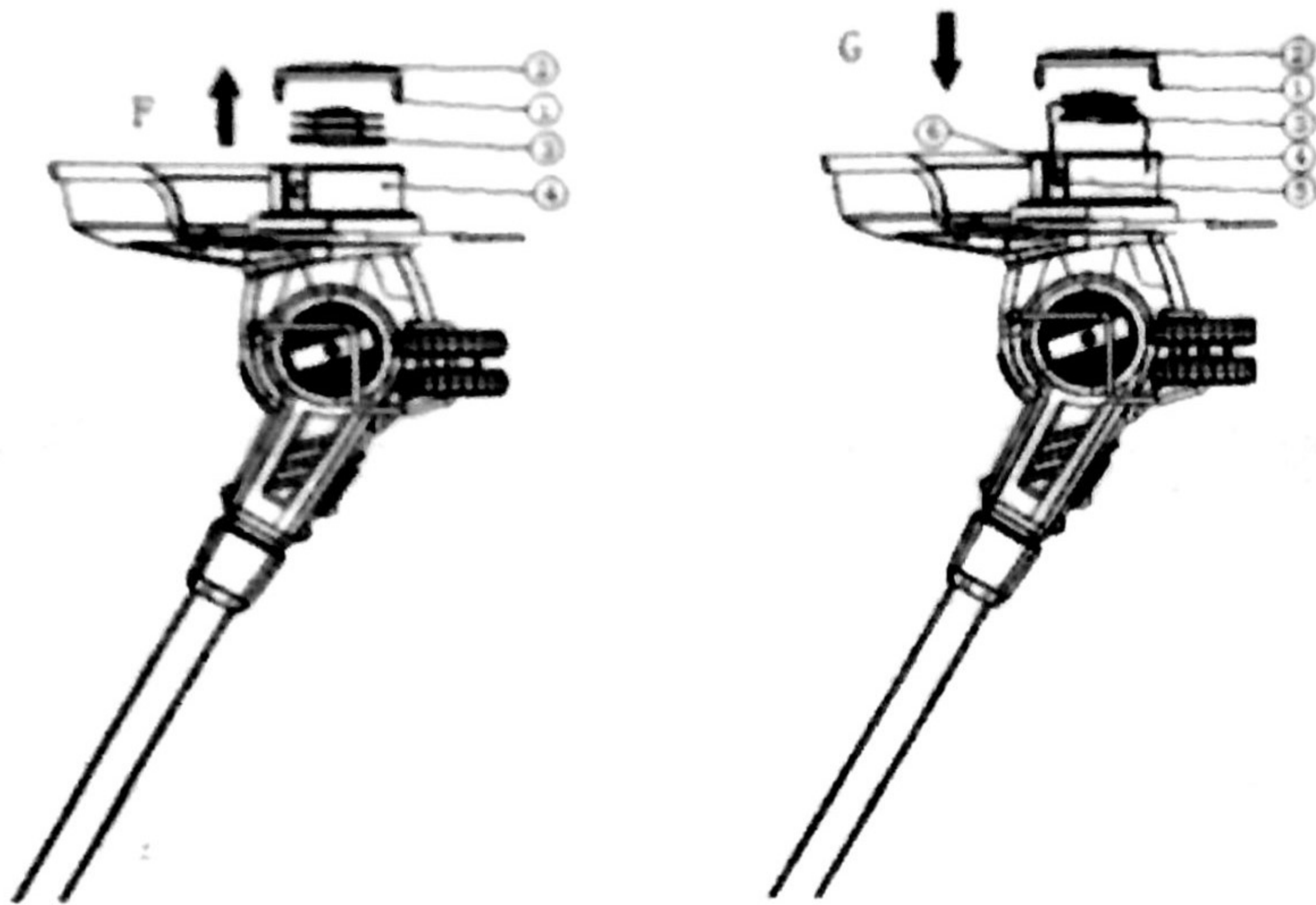
14. Warning

- 14.1 Before performing any maintenance, switch off and unplug the tool.
- 14.2 Regularly clean the ventilation slot in your tool using a soft brush or dry cloth.
- 14.3 Regularly clean the cutting line and spool using a soft brush or dry cloth.
- 14.4 Regularly use a blunt scraper to remove grass and dirt from the underneath of the guard cover.

15. Fitting a New Spool of Cutting Line

15

Fig. F, G



- 15.1 Unplug the tool
- 15.2 Keep the tabs ① depressed and remove the spool cover ② from the housing ④. Fig. F
- 15.3 Remove the empty spool ③ from the spool cover. Fig. F
- 15.4 Remove any dirt and grass from the spool cover and housing
- 15.5 Taking the new spool and push it into the boss in the spool cover. Rotate the spool slightly until it is seated.
- 15.6 Unclip the end of one of the cutting lines and guide the line into one of the eyelets ⑤. The line should protrude approximately 11cm from the spool cover. Fig. G
- 15.7 Unclip the end of the other cutting line and guide the line into the other eyelet. The line should protrude approximately 11cm from the spool corner.
- 15.8 Align the tabs ① on the spool cover with the cut outs ⑥ in the housing. Fig. G
- 15.9 Push the cover onto the housing until it snaps securely into place.

Warning! If the cutting lines protrudes beyond the trimming blade, cut them off so that they just reach the blade.

16. Maintenance Instructions

CAUTION: Before carrying out any maintenance operations, switch off the electric power supply by disconnecting the plug from the extension cord.

- 16.1 Regular cleaning and maintenance of your string trimmer will ensure efficiency and prolong the life of your machine.
- 16.2 After each cutting operation, take apart and clean out the grass and soil from the spool and its slot and in particular the debris shield.
- 16.3 During operation, keep the air slots clean and free of grass.
- 16.4 Only use a cloth soaked with hot water and a soft brush to clean the string trimmer.
- 16.5 Do not spray or wet the appliance with water.
- 16.6 Do not use detergents or solvents as these could damage the trimmer. The parts made of plastic can easily be damaged by chemical agents.

17. Specification

Type	GT600E (GT-PS3031)
Rated Power	230V~240V, 50Hz
Width of Cut (cm)	30
peed of Rotation of Cutting(r/min)	9600-10600
Device Power (W)	600W
Measured Sound Power LWA (dB(A))	96
Value (m/s ²)	30
Weight (kg)	3.2

18. Warranty

This product is warranted in accordance with legal regulations for a 24 month period effective from the date of purchase by the first user.

This product will not be covered if used in a commercial application.

This warranty covers all material or production failures, it does not include: defects from normal wear and tear, parts such as, nylon line, bearings, brushes, cables, air cleaning elements, brake pad, clutch disc, tyre, wheel, recoil starter rope, belts, cutter blades, plugs, lubricant oils and grease or accessories. Damage or defects resulting from abuse, accidents or alterations, natural fading of painted or plated surfaces, sheet peeling and other natural deterioration.

Any damage that occurs from the use of non-genuine Cobra parts will not be covered. We reserve the right to reject any claim where the purchase cannot be verified or when it is clear that the product was not maintained properly. (Clean ventilation slots, carbon brushes and serviced regularly)

Expenses incidental to the warranty claim that are not covered;

-Compensation for loss of time, commercial loss or rental costs of substitute product.

-Costs incurred for transportation to and from the dealership.

Any damage that occurs from the following will not be covered; exposure of the product to smoke and soot, chemical agents, bird droppings or other animal waste, seawater, sea breeze, salt or other environmental phenomena.

Any damage resulting from operating methods other than those indicated in the owner's manual will not be covered.

Your purchase receipt must be kept as proof for date of purchase. Your un-dismantled product must be returned to your dealer in an acceptably clean state, accompanied by your proof of purchase.

Please Register Your Product

If your dealer did not collect registration information from you, please take a few minutes and register your purchase with Cobra.

You can register by completing and mailing the registration card that should be in the box or by going online to:

www.cobragarden.co.uk and clicking on Product Registration.


Before using the product, all operators must read this manual.

Environment

Should your machine need replacement after extended use, do not put it in the domestic waste but dispose of it in an environmentally safe way.



19. EC-DECLARATION OF CONFORMITY

EC Declaration of Conformity	
We herewith declare,	Cobra Garden Machinery Henton & Chattell Ltd, London Road, Nottingham NG2 3HW United Kingdom
that the following machine complies with the appropriate basic safety and health requirements of the EC Directive based on its design and type, as brought into circulation by us.	
In case of alteration of the machine, not agreed upon by us, this declaration will lose its validity	
Machine Description:	Electric Grass Trimmer
Machine Type:	GT600E (GT-PS3031)
Power rating	600w 230V~240V, 50Hz
Max, Cutting width	300 mm
Measured sound power level:	96dB(A)
Guaranteed sound power level:	96dB(A) Notified Body for EC Directive 2000/14/EC:0036 TÜV SÜD Industrie Service GmbH Westendstrasse 199 • 80686 München • Deutschland
Applicable EC Directives	2006/42/EC 2004/108/EC 2000/14/EC
Applicable Harmonized Standards	EN 60335-1:2012+A11 EN 62233:2008 EN 50636-2-91:2014 EN 55014-1:2006+A1+A2 EN 55014-2:1997+A1+A2 EN 61000-3-2:2014 EN 61000-3-3 :2013
Authorized Signature/Date/Place	 Peter J. Chaloner 02-05-2015
Title of Signatory	Managing Director
Name and address of the person authorized to compile the technical file	Cobra Garden Machinery Henton & Chattell Ltd, London Road, Nottingham NG2 3HW United Kingdom